



MOBILECONTAINER-MANUFACTURER OF STORAGE CONTAINERS

INSTRUCTIONS FOR USE AND ASSEMBLY STORAGE CONTAINER



mobile-container.pl



CONTENTS

- 1. INSTRUCTIONS FOR USE.....3
- 2. CONTAINER DELIVERY7
- 3. ITEMS - SPECIFICATION9
- 4. CONTAINER DIMENSIONS12
- 5. MONTAGE13

1. INSTRUCTIONS FOR USE

1.1 Container use

- The container should be used in accordance with its intended purpose: it is forbidden to store animals, food, and perishable products in containers.
- The container is resistant to weather conditions (snow, rain). If pressurized water is used, water may enter the container.
- In containers not equipped with anti-condensation felt, differences in temperature and humidity may lead to condensation of water vapor from the roof onto the material stored inside
- Contact of the container with road salt and acids should be avoided, it may lead to accelerated erosion of the container

1.2 Safety rules

Observe the safety rules when unloading, moving, assembling and using the container

Assembly:

- Before proceeding with the assembly of the container, read the instructions below or watch the instructional video
- Protective equipment, gloves and a helmet should be used during assembly
- Assembly can be performed by an adult, physically and mentally fit person after reading the instructions and safety rules.
- Due to the large weight of the elements, assembly must be carried out by the appropriate number of people. Its amount depends on the size of the container, physical capabilities and security. The number of people for assembly is determined by the customer.

Container handling:

- Unloading and moving the container should be done using a forklift or a crane, by persons with appropriate qualifications. In the absence of the above-mentioned equipment, you can unload the container manually after unpacking the package. Due to the large weight of the elements, the unloading must be done by the appropriate number of people, determined by the customer. Observe the safety rules when unloading.
- In the case of unloading with a forklift, appropriately long forks must be used. The center of gravity must be respected.
- In the case of unloading by crane, appropriately long straps, ropes with adequate load capacity and four lashing points should be provided. The container has crane hooks in the corners.
- Moving the assembled container can only take place with the door closed
- The container can be transported both assembled and packed
- It is forbidden to move the assembled container when there are people, animals or materials inside
- When transporting on public roads, generally applicable safety rules must be observed
- When moving the assembled container, it is possible to leave the material inside under certain conditions: maximum permissible floor load: 500 kg/m^2 , the stored material is secured against movement and evenly distributed.
- Containers can only be stacked in the transport position (unassembled).
- It is forbidden to walk on the roof and store materials on it.
- Due to the fact that the container is made of steel sheet, the following rules must be followed: at very high temperatures, the sheet heats up, it is necessary to take into account what materials will be stored inside and protect your hands against burns. In the case of very low temperatures, there is a risk of the skin sticking to the sheet. Wear protective gloves

Location of the container:

- The storage container should be placed on a leveled and hardened surface. This is a prerequisite for the proper functioning of the door and tightness.
- The earthing of the container must be carried out in accordance with applicable regulations
- In the event of a storm, it is forbidden to stay inside and near the container.
- The location of the container should comply with the applicable fire regulations.

1.3 Maintenance:

- Inspection of the container should be carried out regularly, in case of damage to the coating: sheet metal, profiles, corners, the damage should be protected as soon as possible with an appropriate coating to avoid corrosion
- Grease the door hinges regularly
- Periodically clean the gutters and the roof of the container from dirt and leaves

1.4 Utilization:

Disposal of the container should be carried out in accordance with local waste management regulations. The container owner is responsible for its disposal

1.5 Guarantee

- The manufacturer provides a 25-year warranty on the container
- Spare parts are available on request and will be delivered within 14 days of placing the order
- In order to submit a complaint, please complete the form available at: www.mobile-container.pl. By providing the container serial number and VAT invoice number. The form should be sent to the e-mail address: kontakt@mobile-container.pl

1.6 Maximum load:

- The maximum floor load is: 500 kg/m²
- The maximum roof load is: 122 kg/m² (snow class III)

2. CONTAINER DELIVERY



Each storage container is delivered in elements for self-assembly:

- floor
- drip tubs
- galvanized trusses
- two walls
- back wall
- double doors
- roof

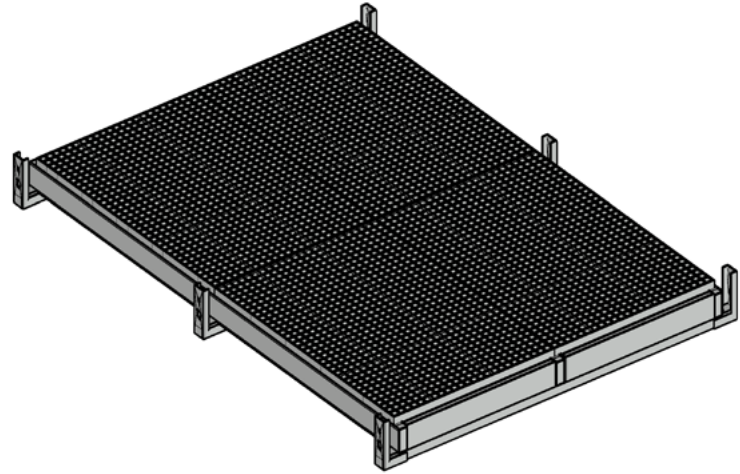
Items included in the scope of delivery of the storage container:

Container	2 M	3 M
Floor	1	1
Drip tubs	2	2
Galvanized trusses	4	4
Side walls	2	2
Roof	1	1
Back wall	1	1
Door	1	1
Corners	12	12
Screw M10 35 mm	8	8
Screw M10 70 mm	4	4
Screw T10 35 mm	12	12
Washer screw M10	14	14
Washer screw M16	12	12
Nut M10	4	4
Sheet metal screw	2	2
The door handle	1	1
T40 key	1	1

3. ITEMS - SPECIFICATION

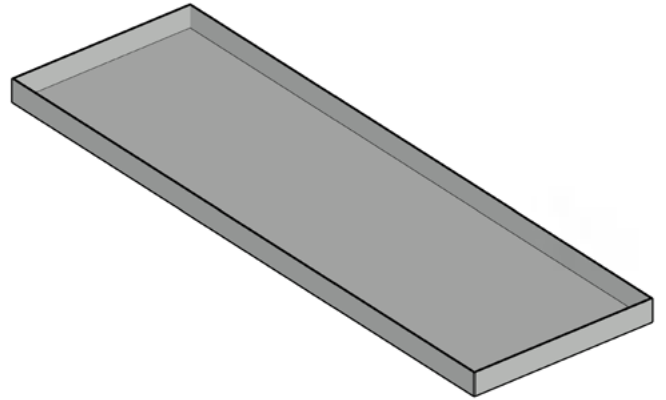
Floor

Floor made of galvanized profiles
60x40x2 mm and 100x50x2 mm



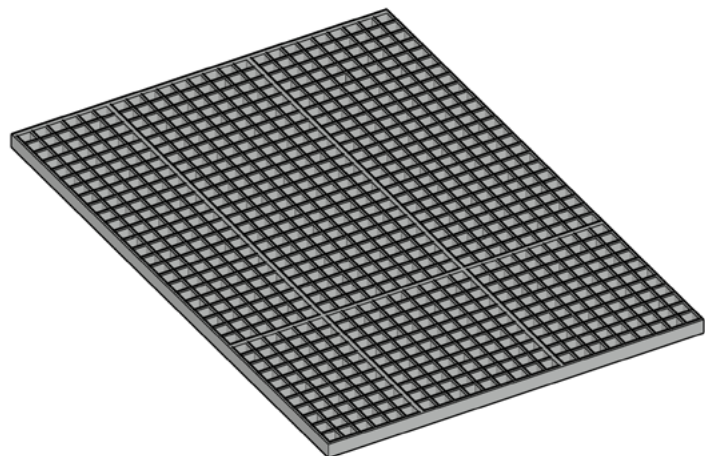
Drip tubs

Made of 2 mm thick galvanized sheet metal. Capacity:
Container 2 m - 185 liters
Container 3 m - 280 liters



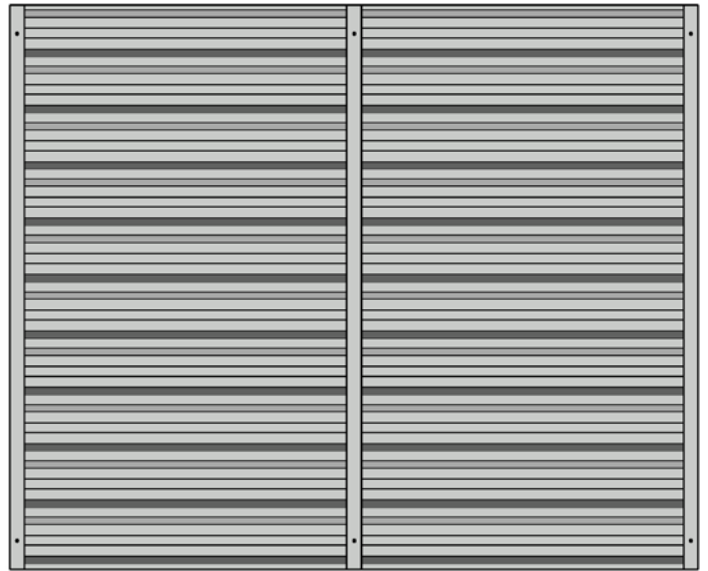
Galvanized trusses

Made of 30x2 mm flat bars
Hot-dip galvanized



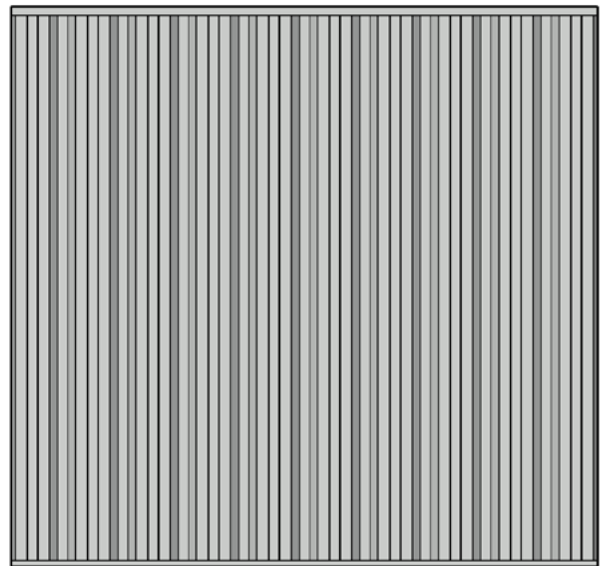
Side walls

Side walls: galvanized trapezoidal sheet T-35 (0.7 mm), galvanized profiles 60×40 mm (wall thickness 2 mm) screwed to the container floor and roof with corners (3 mm sheet) using M10 screws



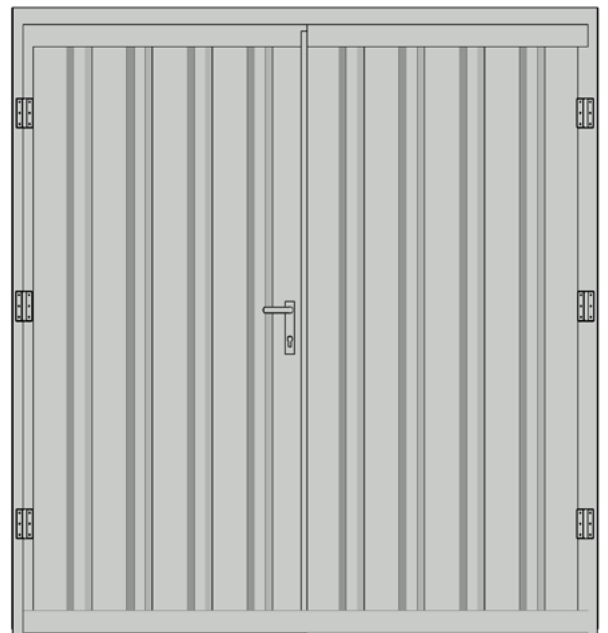
Back wall

Galvanized trapezoidal sheet metal T-35 (0.7 mm)



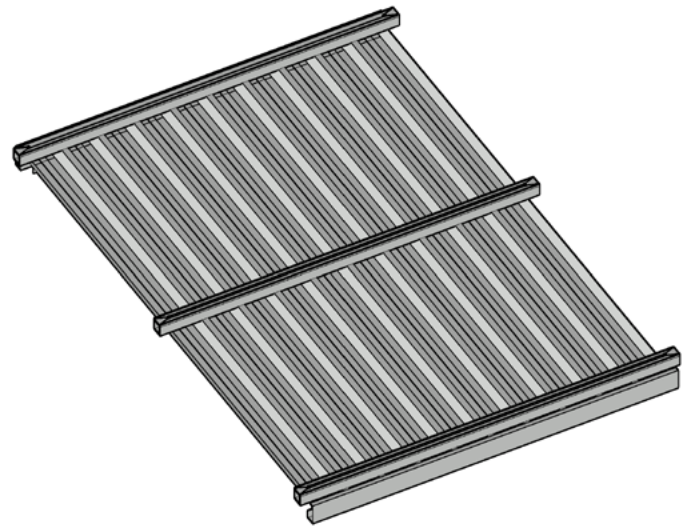
Doors

Double-leaf, T-35 trapezoidal sheet metal, with an installed handle and bolt, locked with a key. Turned hinges



Roof

T-35 aluzinc sheet, 60x40mm galvanized profiles (wall thickness 2 mm), connected with angles (3 mm sheet) with wall profiles using M10 screws



Corners

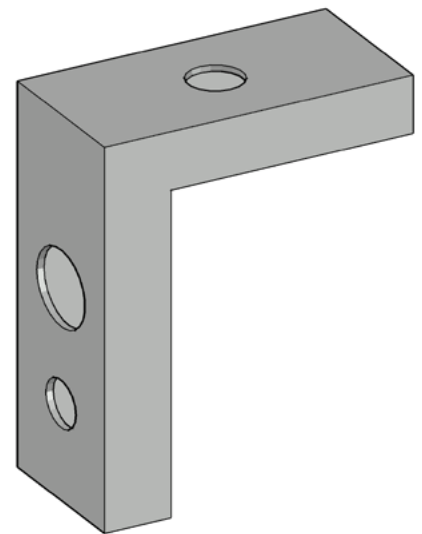
Made of 3 mm thick sheet metal.

Secured

anti-corrosive and

powder coated. They are used to connect the walls of the container with the roof and floor.

The corners have pins for stacking packages.



4. CONTAINER DIMENSIONS

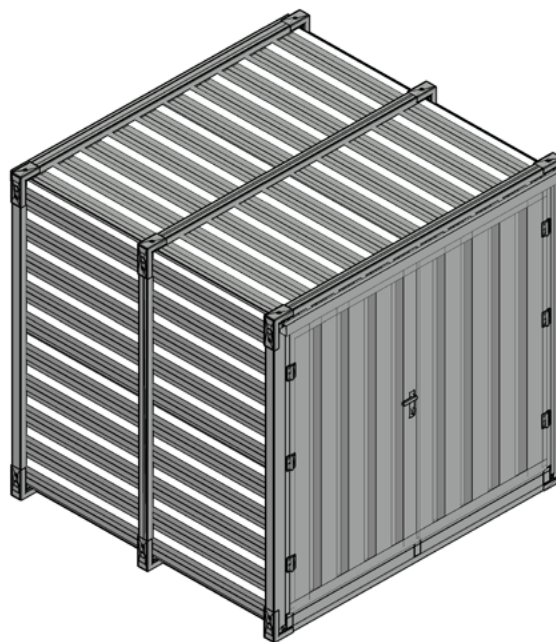
STORAGE CONTAINER WK 2 M

EXTERNAL DIMENSIONS

Length [cm]	200
Width [cm]	220
Height [cm]	220

INTERNAL DIMENSIONS

Length [cm]	193
Width [cm]	205
Height [cm]	205
Bathtub capacity [l]	370



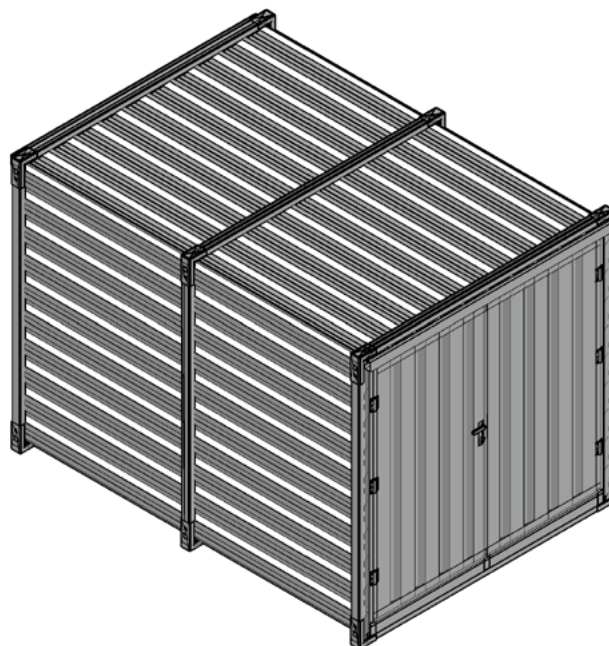
STORAGE CONTAINER WK 3 M

EXTERNAL DIMENSIONS

Length [cm]	300
Width [cm]	220
Height [cm]	220

INTERNAL DIMENSIONS

Length [cm]	293
Width [cm]	205
Height [cm]	205
Bathtub capacity [l]	560



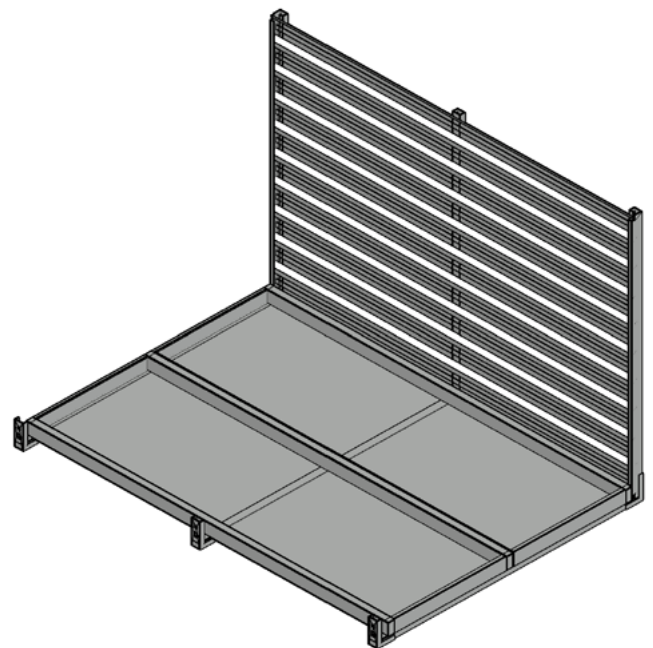
5. MONTAGE

To assemble the container, we need:

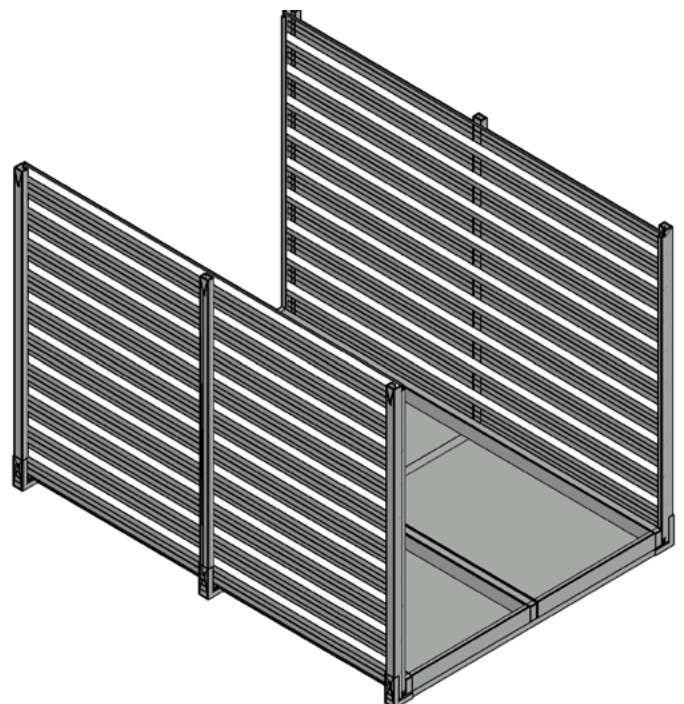
- Key 17
- T40 key (included in the package)
- Screwdriver

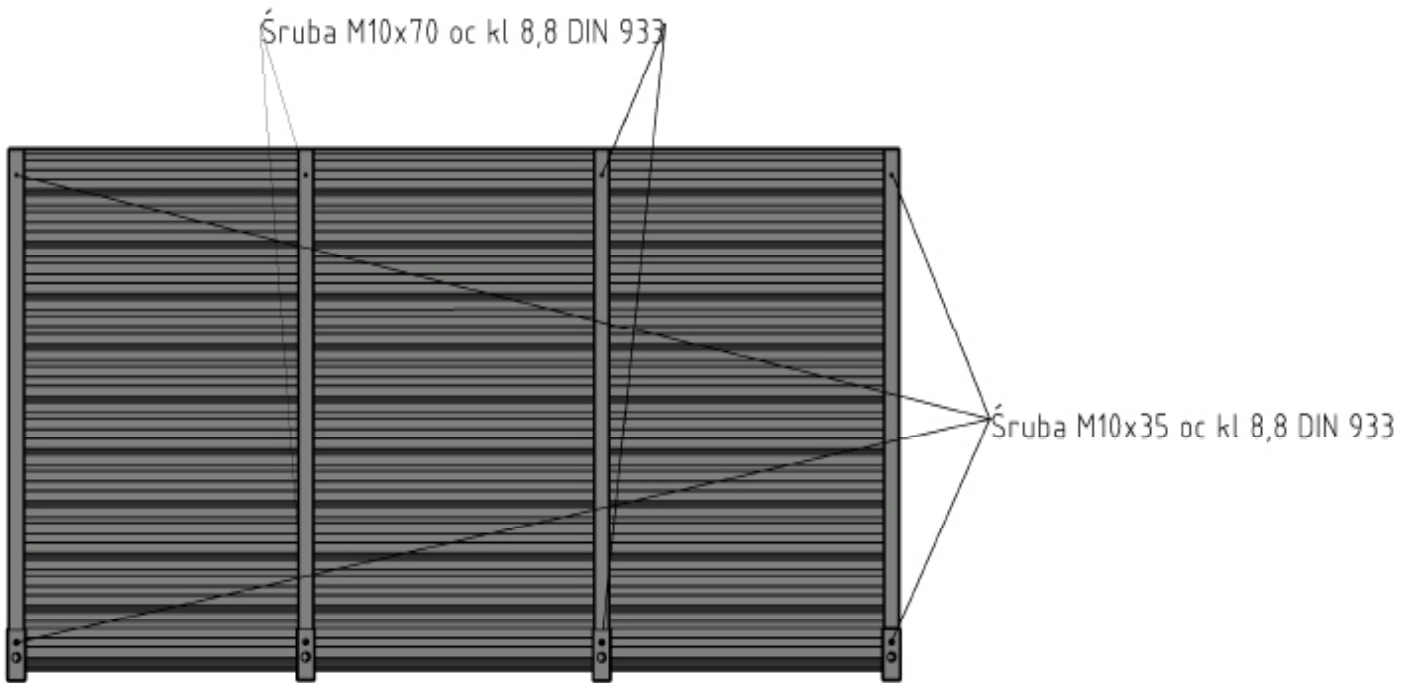
The base for the container should be stable and leveled

1. We assemble the first wall by screwing it to the container floor using M10 bolts. Use 35 mm long screws for corner posts, and 70 mm for other screws. We use washers

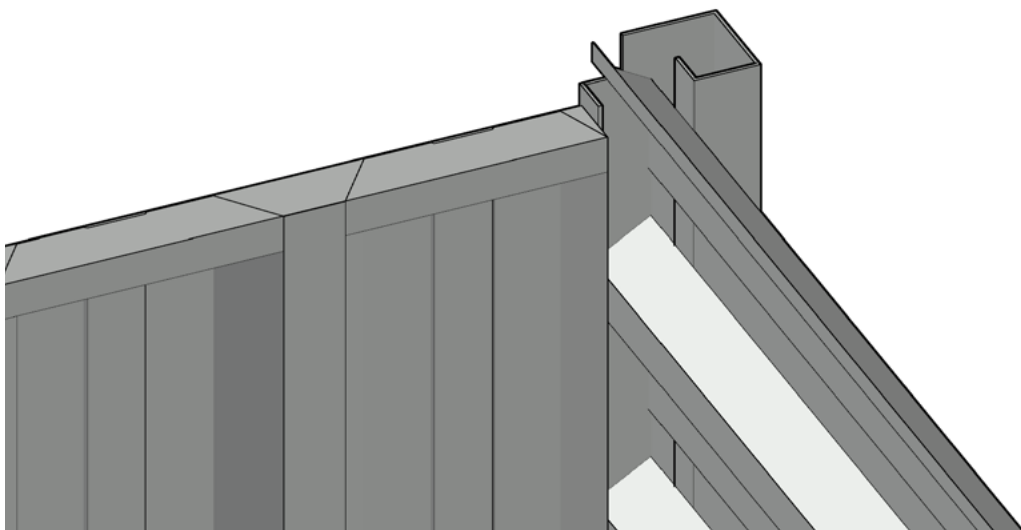
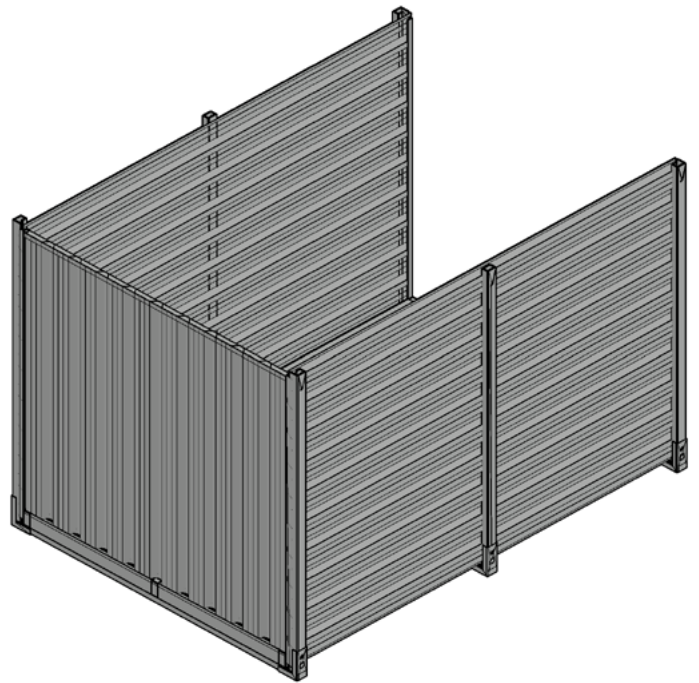


2. We install the second wall of the container in the same way

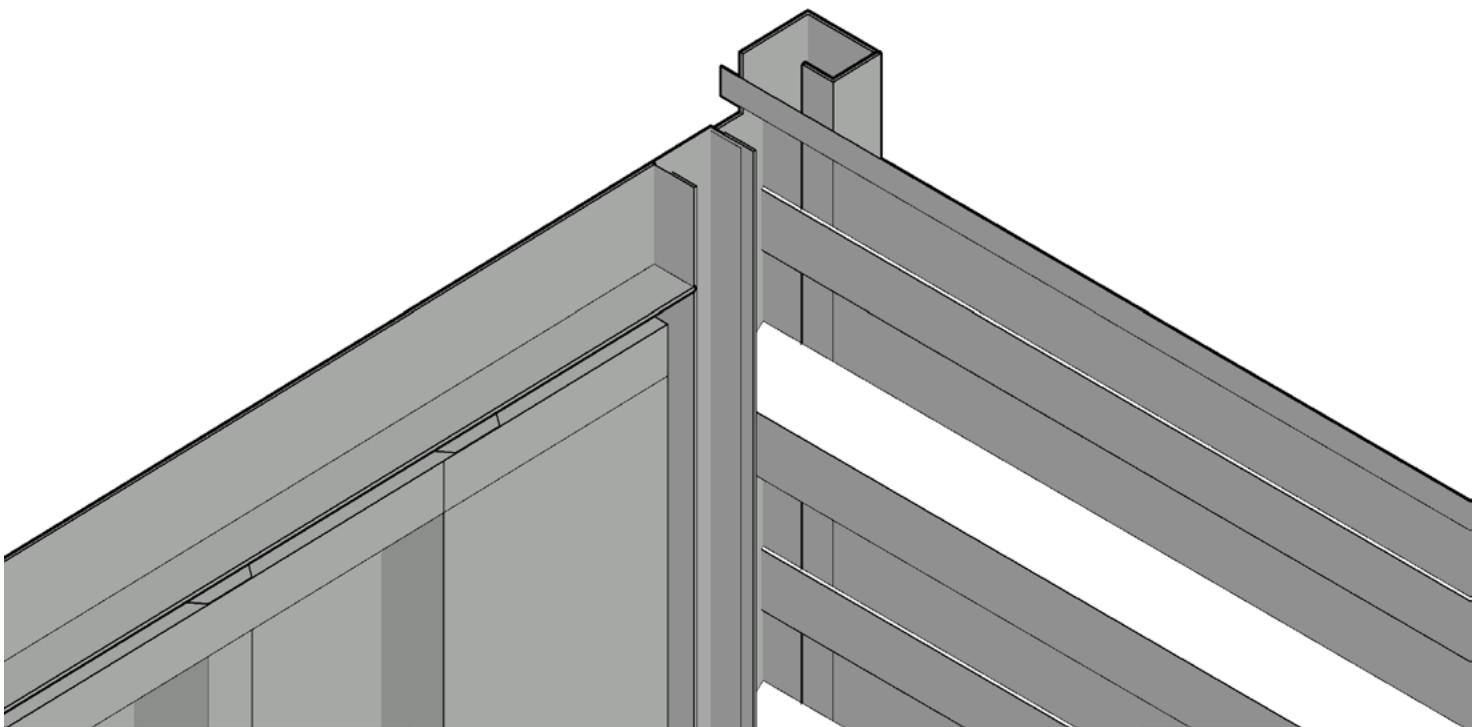
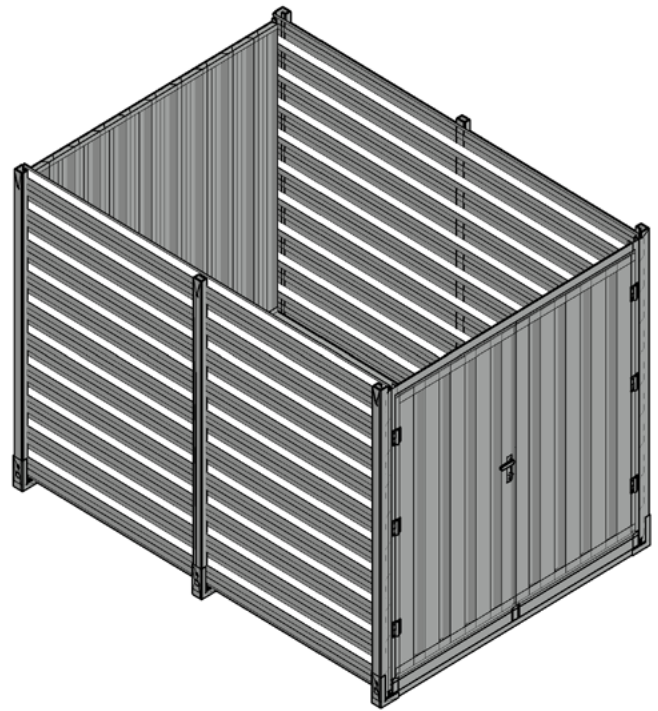




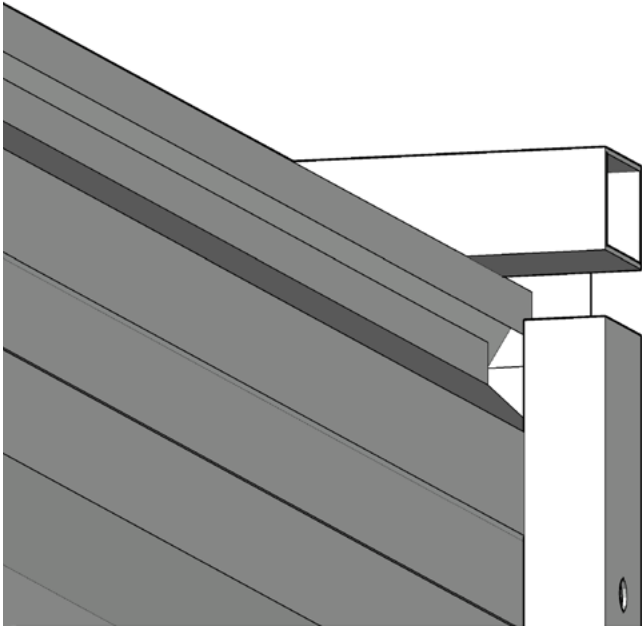
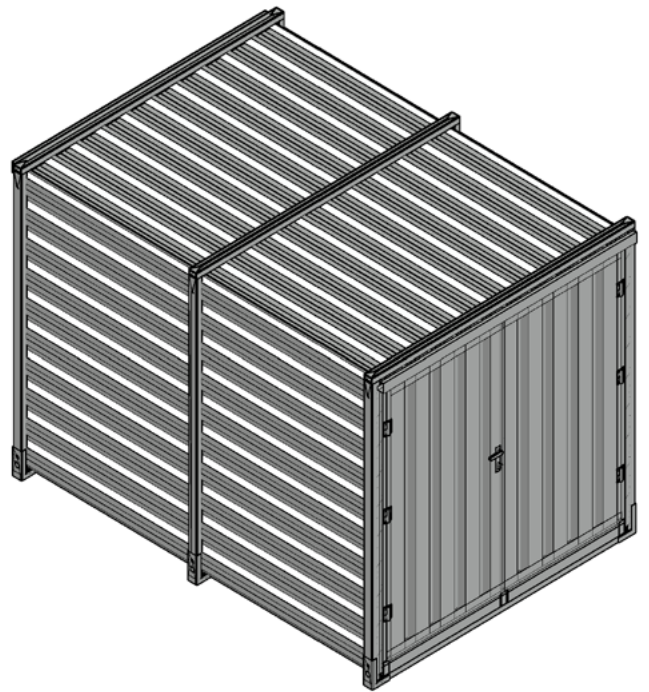
3. In the third step, we assemble the rear wall of the container, the wall is mounted on lock. Before proceeding to the next step, you must secure the wall against falling out by supporting her inside container



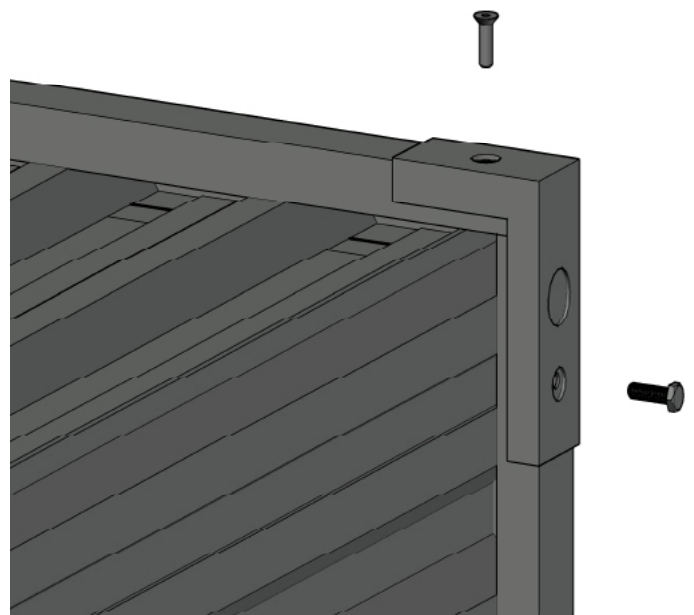
4. We assemble the container door, just like in the case of the rear wall, the assembly is done with a lock, by sliding the frame over the metal sheet



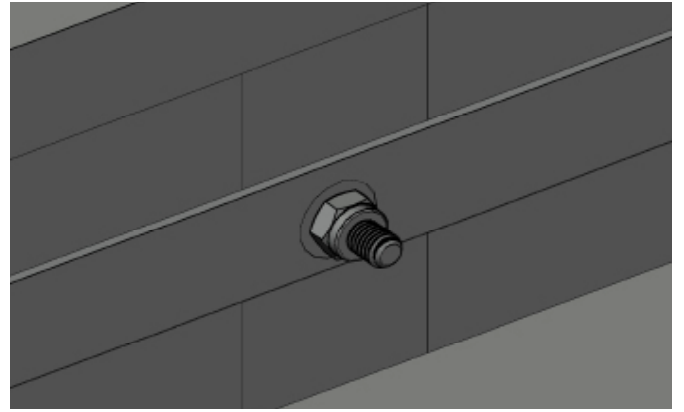
5. We put on the roof of the container



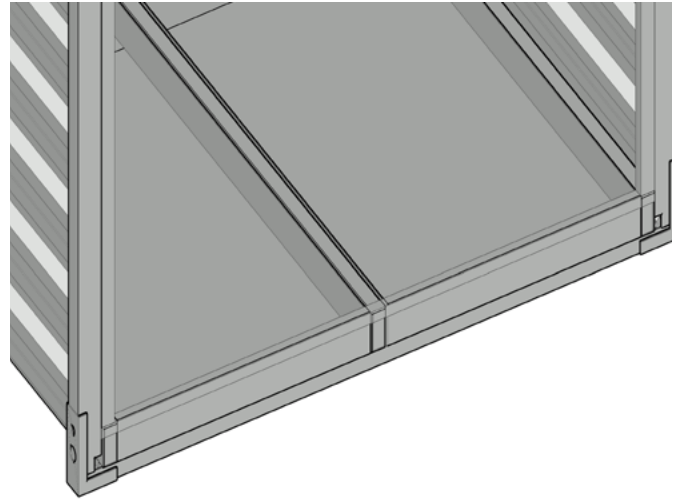
6. We install the corners connecting the roof with the walls of the container, for the corner posts we use M10 - 35 mm bolts, for the roof we use T10 - 35 mm bolts, for the rest: M10 bolts - 70 mm. We use washers



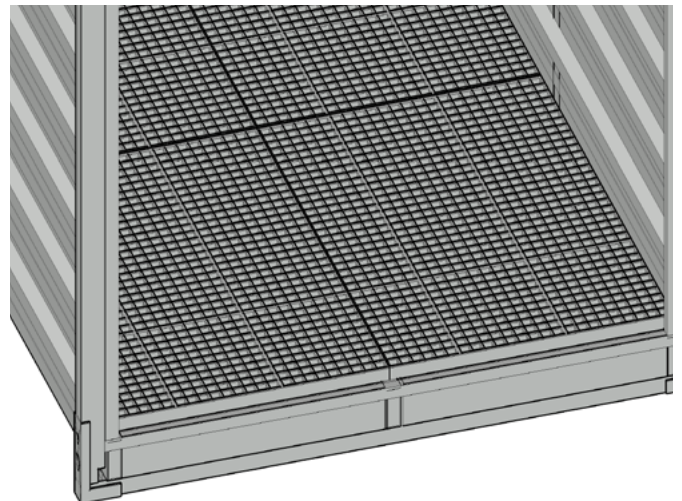
7. Inside the container, we screw 70 mm self-locking nuts onto the bolts, using washers



8. Screw the lower profile of the door frame to the floor of the container using sheet metal screws



9. We put in the trusses



10. We install the handle in the door using a star screwdriver. We put on a plug

